



Vestil Manufacturing Corp.

2999 North Wayne Street, P.O. Box 507, Angola, IN 46703
 Telephone: (260) 665-7586 -or- Toll Free (800) 348-0868

Fax: (260) 665-1339

Web: www.vestilmfg.com e-mail: info@vestil.com

FE-Series Fork Extensions

Instruction Manual



Receiving instructions:

After delivery, remove the packaging from the product. Inspect the product closely to determine whether it sustained damage during transport. If damage is discovered, record a complete description of it on the bill of lading. If the product is undamaged, discard the packaging.

NOTE: The end-user is solely responsible for confirming that product design, use, and maintenance comply with laws, regulations, codes, and mandatory standards applied where the product is used.

Technical Service Department (TSD) and Replacement Parts:

For answers to questions not addressed in these instructions and to order replacement parts, labels, and accessories, call our Technical Service and Parts Department at (260) 665-7586. The department can also be contacted online at http://www.vestilmfg.com/parts_info.htm.

Table of Contents

Signal Words.....	2
Hazards.....	2
Standard Features.....	2
Necessary Approvals and Markings.....	3
Acquiring Copies of Data Drawings.....	3
Installation.....	4
Diagram: Standard Tine Loop.....	4
Diagram: Removable Pin Tine Lock (Upgrade from Standard).....	4
Confirm Proper Fit.....	4
Record of Normal Condition.....	4
Inspections.....	4 - 5
Labeling Diagram.....	5
Limited Warranty.....	6

SIGNAL WORDS:

This manual uses SIGNAL WORDS to identify hazards that could occur while using this product. DANGER, WARNING, and CAUTION draw attention to hazards likely to cause personal injuries. Each signal word implies a specific level of injury. NOTICE is used to indicate hazards likely to result in property damage. The following are definitions for each word.



Identifies a hazardous situation which, if not avoided, WILL result in DEATH or SERIOUS INJURY. Use of this signal word is limited to the most extreme situations.



Identifies a hazardous situation which, if not avoided, COULD result in DEATH or SERIOUS INJURY.



Indicates a hazardous situation which, if not avoided, COULD result in MINOR or MODERATE injury.



Identifies practices likely to result in product/property damage, such as operation that might damage the product.

Hazards:

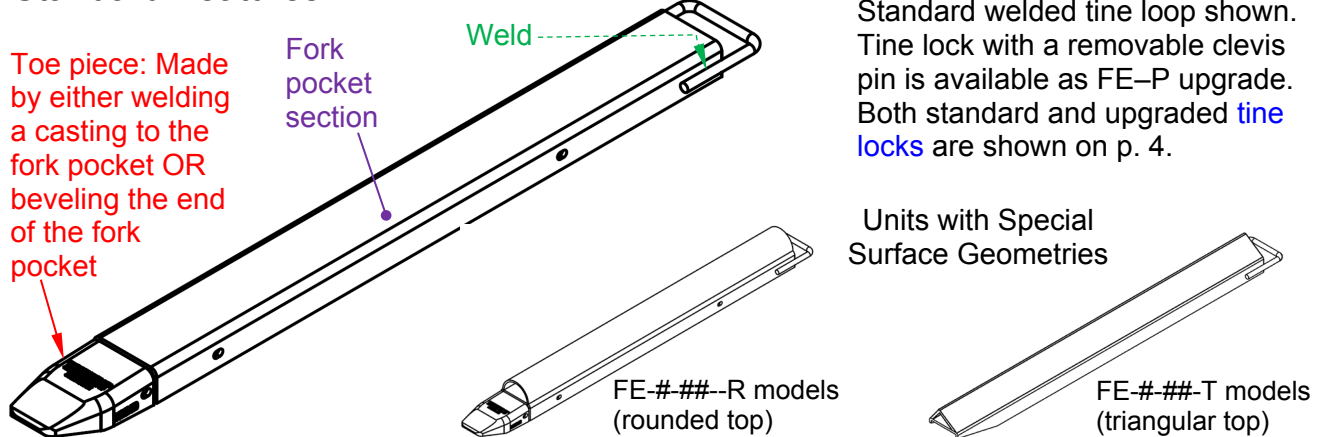
We strive to identify all hazards that could occur while using our products, but no manual can address every risk. The most effective way to avoid injury is to exercise sound judgment whenever using this device and to read the entire manual carefully before installing, using, or servicing the product. Vestil recommends that you contact its [Technical Service Department](#) (the “TSD”) if you have any questions about instructions in the manual. We intend to provide our customers with the best instructions possible and encourage you to contact the TSD if you believe that a necessary instruction is missing or incomplete.



Improper or careless operation might result in serious personal injuries.

- ONLY use fork extensions as a means for supporting palletized loads or skids.
- Inspect both extensions before each use according to the [Inspection](#) instructions on pages 4-5. DO NOT use a damaged fork extension. Examples of structural damage include: a) broken tine lock, retaining loop, or welds connecting the loop/lock to the main body of the extension (fork pocket); b) cracked, warped, bent or excessively corroded fork pockets; and c) cracks, warps, bends or excessive corrosion of the cast toe piece welded to the end of each fork pocket.
- DO NOT sit on or ride on the extensions.
- DO NOT use a fork extension UNLESS each label shown in [Labeling Diagram](#) on p. 5 is applied to the extension and is undamaged and readable.
- DO NOT attempt to lift loads that exceed the capacity of your extensions or the load rating of the fork truck, whichever is smaller.
- DO NOT attempt to lift a load using only the toe of a fork extension. Permanent damage to the fork extension, damage to property, or serious personal injury could result.
- DO NOT modify either fork extension in any way. Unauthorized modifications might make the extension unsafe to use and could result in operator and/or bystander injury. Any modification not expressly approved beforehand by Vestil in writing automatically voids the warranty.

Standard Features:



Necessary Approvals and Markings:

BEFORE putting these extensions into service, you **must** contact the manufacturer of your fork lift to verify that they can safely be used with the fork lift. OSHA rule [29 CFR 1910.178\(a\)\(4\)](#) requires the manufacturer to approve the use of the extensions on your forklift. The manufacturer must also provide updated labels/tags for the forklift before the extensions may be used, according to [29 CFR 1910.178\(a\)\(5\)](#).

a. "Modifications and additions which affect [fork lift] capacity and safe operation shall not be performed by the customer or user without manufacturer's prior written approval. Capacity, operation, and maintenance instruction plates, tags, or decals shall be changed accordingly." See [29 CFR 1910.178\(a\)\(4\)](#).

b. "If [your fork lift] truck is equipped with front-end attachments [like fork extensions] other than factory installed attachments, the user shall request that the truck be marked to identify the attachments and show the approximate weight of the truck and attachment combination at maximum elevation with load laterally centered." See [29 CFR 1910.178\(a\)\(5\)](#).

NOTE: Although the regulations cited above impose a duty on the manufacturer of your forklift to approve the use of these fork extensions on your forklift, the manufacturer may refuse to do so. In that case, you should hire a "Qualified Registered Professional Engineer" to "perform a safety analysis and address any safety and/or structural issues contained in the [manufacturer's] negative response...Machine data plates must be changed accordingly." See April 11, 1997 OSHA letter of interpretation to Mr. Kenneth J. Yotz titled, [Powered industrial truck modifications and approval](#).

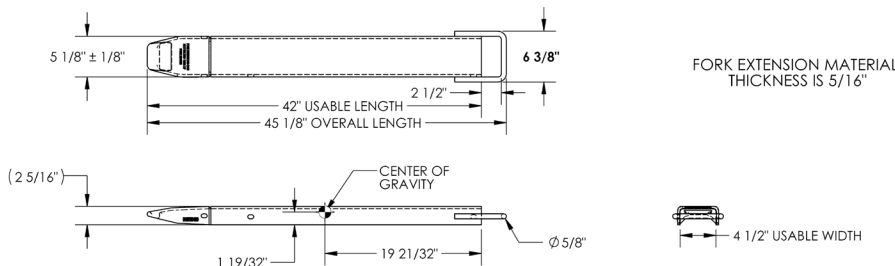
Acquiring Copies of Data Drawings:

Vestil Manufacturing Corp. provides online access to a document called a "Data drawing" for most FE-series fork extensions. Data drawings include dimensions, net weight, capacity, and center of gravity information. This information is available online to facilitate the analysis that your forklift manufacturer (or a professional engineer) is required to perform. To access data drawings, navigate to this webpage: https://www.vestil.com/products/mhequip/fork_extensions.htm. Find the model designation of your extensions in the table and click the pencil icon in the 2nd column of the table. If your model is not included in the table, contact the Technical Service Dept. (contact information is provided on the front page of this manual). The following is an example of a data drawing:

FORK EXTENSIONS - FE-4-42

APPROX WEIGHT: 33.42 lbs.
DOES NOT INCLUDE WEIGHT OF POWER OR PACKAGING!!!

*** ANY ADDITIONS, DELETIONS, OR OMISSIONS MUST BE CORRECTED ON THIS DRAWING AS THIS DRAWING WILL BE CONSIDERED ALL INCLUSIVE ***
ALL GRAPHICS PROVIDED ARE FOR REFERENCE ONLY. IF CERTAIN DIMENSIONS ARE CRITICAL PLEASE VERIFY THOSE DIMENSIONS WITH YOUR SALESPERSON



NOTE: Content of Data Drawings is subject to change without notice. This example data drawing for model FE-4-42 fork extensions is provided for demonstrative purposes only. To get a copy of an FE-4-42 data drawing, follow the procedure for [Acquiring Copies of Data Drawings](#).

STANDARD FEATURES

MODEL NUMBER IS FE-4-42
FORK EXTENSION WIDTH IS 5 1/8"
OVERALL WIDTH W/ LOOP: 6 3/8"
USABLE WIDTH IS 4 1/2"
ACCOMMODATES FORKS 4" W X 2" THICK
SOLID STEEL CONSTRUCTION
TOUGH BAKED IN POWDER COATED YELLOW FINISH
APPROX. WEIGHT / LOST LOAD= 33.38 LBS. EACH
MINIMUM EFFECTIVE THICKNESS= LESS THEN 1"
CAPACITY = 4,000 # PER PAIR, EVENLY DISTRIBUTED
FORK EXTENSIONS DO NOT CHANGE THE LOAD
CENTER OF EXISTING FORK TRUCK.
NEVER EXCEED LOAD CENTER RATING PER FORK
TRUCK MANUFACTURER'S GUIDELINES.
DO NOT USE THESE FORK EXTENSIONS IF LOAD WILL
EXCEED FORK TRUCK MANUFACTURER'S LOAD
CENTER RATING.
FORK EXTENSIONS MUST NOT EXCEED 150%
ORIGINAL FORK LENGTH.

SPECIAL FEATURES

NONE

DIMENSION TOLERANCE ± 1/4"

APPROVAL

I, THE UNDERSIGNED, AGREE THAT THE PRODUCT AS REPRESENTED SATISFIES DESIGN AND DIMENSION REQUIREMENTS. I ALSO ACKNOWLEDGE MY DUTY TO CONFIRM PRODUCT AND INSTALLATION COMPLIANCE WITH ALL APPLICABLE FEDERAL, STATE AND LOCAL REGULATIONS AND STANDARDS.
ANY MODIFIED UNITS ARE NON-RETURNABLE
[] As drawn [] As marked

Signed: _____ Date: _____
Printed Name: _____
LEAD TIME WILL START UPON RECEIPT OF SIGNED APPROVAL DRAWING

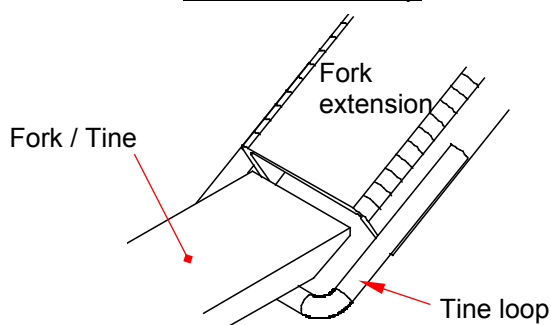
FOR INTERNAL USE ONLY PROJECT SIGN OFF		DISTRIBUTOR'S NAME: VESTIL MANUFACTURING		P.O.# X
SALES		DRAWN BY:	DATE: 4/17/2018	W.G.# X
ENG.		REFERENCE: X	SCALE: 1:12	SALES: X
FAB.		QUOTED LEAD TIME: X	QUOTE # X	FILE NAME:
POWER				

Installation: You should obtain a copy of the most recent edition of ANSI/ITSDF B56.1 **BEFORE** installing, using, or maintaining your fork extensions.

Standard Welded-Loop Tine Lock

Raise the forks (tines) approximately 4-6in. from the ground. Manually lift the tip of the fork extension so that the extension is angled at 45° to the ground/floor. Guide the tine loop underneath the tapered end of the tine; slide the fork extension onto the tine until it reaches the heel of the tine; then lower the extension onto the fork once the tine lock is behind the heel of the tine.

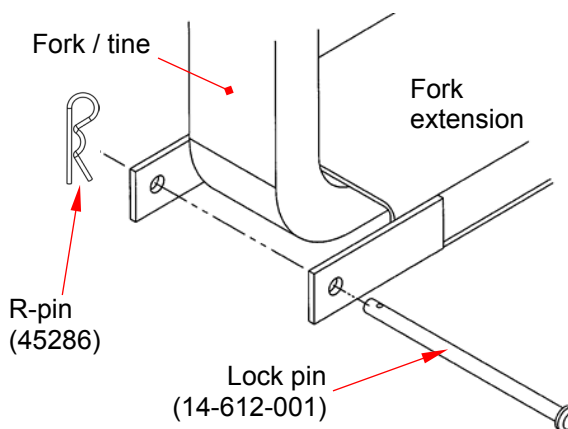
Standard tine loop



Removable Pin Tine Lock (Models FE-x-xx-P)

Remove the R-pin and pull out the lock pin. Place the fork extension over the tine/fork. Install the locking behind the heel of the tine; then reinstall the R-pin.

Tine lock with removable pin



Confirm Proper Fit:

Using fork extensions that are too long or too wide, or both, is dangerous. After receiving your extensions you should confirm that they properly fit your forklift. If you have any questions about the fit of your extensions, contact [Technical Service](#). DO NOT use the extensions unless they properly fit the forks of your forklift.

1. Compare the length of the forks (also called tines) to the length of the fork extensions. The extensions must not be more than 150% of the length of the forks.
2. Review labeling applied to the underside of your extensions. The warning label provides important information about the minimum and maximum dimensions of forks that could be used with the extension.
3. To prevent the extensions from moving side-to-side during use, select a model that matches the fork width. According to ANSI/ITSDF B56.1-2005, paragraph 7.39.5, p. 51, for a fork extension to fit a fork properly, "Lateral clearance shall not exceed 12mm between fork and extension."

Record of Normal Condition:

Before putting the extensions into service, make a written record that thoroughly describes the condition of each one. Describe welds, hardware (if applicable), and paint/powder coat. Determine the levelness of each extension, e.g. with a bubble level. Photograph the unit from several vantage points. Add the photographs to the record. Include photographs of all labels applied to the unit. Indicate where the labels are applied. This record establishes normal condition. Compare your observations during all inspections to this record to determine if the unit is in normal condition or requires repair. Purely cosmetic changes, e.g. damaged paint/powdercoat, are not changes from normal condition. However, touchup paint should be applied wherever the finish is damaged as soon as the damage occurs.

Inspections:

Compare the results of all inspections to the *Record of Normal Condition*.

A. Before each use:

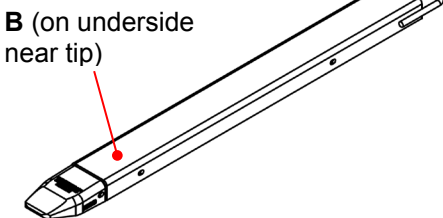
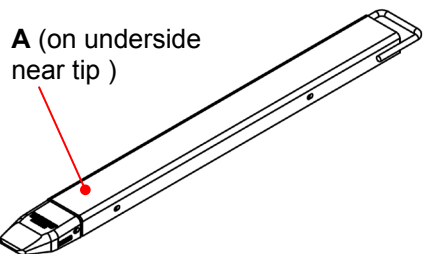
- Look for damage to either the fork extension or the tine lock/loop. Verify that the locking mechanism functions normally.
- Examine the tip of the extension. Make sure that it is not cracked or deformed, and that the weld between the tapered end and the fork pocket portion is intact.

B. At least once per month:

- Inspect each extension for warps, bends, and cracks.
- Closely inspect the tine lock/loop for damage.
- Verify that all welds are intact.
- Confirm that each label is located as shown in the *Labeling Diagram* (below) and is undamaged and readable.

Labeling diagram:

Each pair of extensions should be labeled as shown in the diagram. However, label content and location are subject to change so your product might not be labeled exactly as shown. Replace all labels that are damaged, missing, or not easily readable (e.g. faded). To order replacement labels, contact the technical service and parts department online at http://www.vestilmfg.com/parts_info.htm. Alternatively, you may request replacement parts and/or service by calling (260) 665-7586 and asking the operator to connect you to the [Parts Department](#).



A: Label 697 (FE-4); 698 (FE-5); 699 (FE-6); 1047 (FE-7); or 1048 (FE-8)

WARNING

Material handling is inherently dangerous. Improper or inappropriate use of fork extensions might result in operator or bystander death or serious injury.

- **DO NOT** use this extension if more than 150% of the fork tine length.
- **DO NOT** use if locking loop is damaged or absent.
- **Law requires** you to contact (fork) lift truck manufacturer and request:
 1. Written approval **BEFORE** using fork extensions [29 CFR 1910.178(a)(4)].
 2. Markings for (fork) lift truck that:
 - Identify fork extensions;
 - Give approximate weight of truck and extensions at maximum evaluation with laterally-centered load. [29 CFR 1910.178(a)(5)].
- **DO NOT** use **UNTIL** lift truck manufacturer provides corrected capacity tags.

697
rev. 02/12

CAPACITY, CLASS CENTER, AND MINIMUM FORK SIZE FOR FORK EXTENSION	Model	Extension			Fork Dimensions			Extension			Fork Dimensions		
		Capacity each Extension Kg.	Load Center mm.	Max. fork thickness mm.	Nominal fork width mm.	Min. fork length mm.	Capacity each Extension Lb.	Load Center in.	Max. fork thickness in.	Nominal fork width in.	Min. fork length in.		
	FE-4-48	807.2	598.0	50.8	101.6	812.8	2,000	20	2	4	32		
	FE-4-54	807.2	584.2	50.8	101.6	914.4	2,000	23	2	4	36		
	FE-4-63	807.2	698.5	50.8	101.6	1066.8	2,000	28	2	4	42		
	FE-4-66	807.2	736.6	50.8	101.6	1117.8	2,000	29	2	4	44		
	FE-4-72	807.2	812.8	50.8	101.6	1219.2	2,000	32	2	4	48		
	FE-4-84	807.2	895.2	50.8	101.6	1422.4	2,000	38	2	4	56		
	FE-4-99	807.2	1041.4	50.8	101.6	1524.0	2,000	41	2	4	60		
	FE-4-96	807.2	1117.6	50.8	101.6	1625.6	2,000	44	2	4	64		
	FE-4-108-P	807.2	1270.0	50.8	101.6	1828.8	2,000	50	2	4	72		
	FE-4-120-P	807.2	1422.4	50.8	101.6	2032.0	2,000	56	2	4	80		

B: Label 460

NOTICE

INSTALLATION INSTRUCTIONS

1. FORK EXTENSIONS MUST BE SLID ON TO FORKS AT AN ANGLE. THE "U-BOLT" MUST BE UNDER THE FORK.
2. AFTER PROPER INSTALLATION, "U-BOLT" WILL WRAP AROUND HEEL OF FORK. THIS PREVENTS THE EXTENSION FROM SLIDING OFF FORK.

AVISO

INSTRUCCIONES DE INSTALACION

1. LAS EXTENSIONES DE LAS HORQUILLAS DEBEN SER MONTADAS EN LAS HORQUILLAS EN UN ANGULO. EL PERNO DEBE DE QUEDAR POR DENTRO DE LA HORQUILLA.
2. DESPUES DE LA CORRECTA INSTALACION, EL PERNO O U-BOLTA ENVUELTO EN EL TALON DE LA HORQUILLA. ESTO PREVIENE QUE LA EXTENSION SE DESLICE DE LA HORQUILLA.

VESTIL MANUFACTURING COMPANY
25625
www.vestilmfg.com • Phone (260)665-7586

LIMITED WARRANTY

Vestil Manufacturing Corporation (“Vestil”) warrants this product to be free of defects in material and workmanship during the warranty period. Our warranty obligation is to provide a replacement for a defective, original part covered by the warranty after we receive a proper request from the Warrantee (you) for warranty service.

Who may request service?

Only a warrantee may request service. You are a warrantee if you purchased the product from Vestil or from an authorized distributor AND Vestil has been fully paid.

Definition of “original part”?

An original part is a part used to make the product as shipped to the Warrantee.

What is a “proper request”?

A request for warranty service is proper if Vestil receives: 1) a photocopy of the Customer Invoice that displays the shipping date; AND 2) a written request for warranty service including your name and phone number. Send requests by one of the following methods:

<u>US Mail</u>	<u>Fax</u>	<u>Email</u>
Vestil Manufacturing Corporation 2999 North Wayne Street, PO Box 507 Angola, IN 46703	(260) 665-1339 <u>Phone</u> (260) 665-7586	info@vestil.com Enter “Warranty service request” in subject field.

In the written request, list the parts believed to be defective and include the address where replacements should be delivered. After Vestil receives your request for warranty service, an authorized representative will contact you to determine whether your claim is covered by the warranty. Before providing warranty service, Vestil will require you to send the entire product, or just the defective part (or parts), to its facility in Angola, IN.

What is covered under the warranty?

The warranty covers defects in the following original, dynamic parts: motors, hydraulic pumps, motor controllers, and cylinders. It also covers defects in original parts that wear under normal usage conditions (“wearing parts”), such as bearings, hoses, wheels, seals, brushes, and batteries.

How long is the warranty period?

The warranty period for original dynamic components is 30 days. For wearing parts, the warranty period is 30 days. Both warranty periods begin on the date Vestil ships the product to the Warrantee. If the product was purchased from an authorized distributor, the periods begin when the distributor ships the product. Vestil may, at its sole discretion, extend a warranty period for products shipped from authorized distributors by up to 30 days to account for shipping time.

If a defective part is covered by the warranty, what will Vestil do to correct the problem?

Vestil will provide an appropriate replacement for any *covered* part. An authorized representative of Vestil will contact you to discuss your claim.

What is not covered by the warranty?

The Warrantee (you) is responsible for paying labor costs and freight costs to return the product to Vestil for warranty service.

Events that automatically void this Limited Warranty.

- Misuse;
- Negligent assembly, installation, operation or repair;
- Installation/use in corrosive environments;
- Inadequate or improper maintenance;
- Damage sustained during shipping;
- Collisions or other accidents that damage the product;
- Unauthorized modifications: Do not modify the product IN ANY WAY without first receiving written authorization from Vestil.

Do any other warranties apply to the product?

Vestil Manufacturing Corp. makes no other express warranties. All implied warranties are disclaimed to the extent allowed by law. Any implied warranty not disclaimed is limited in scope to the terms of this Limited Warranty. Vestil makes no warranty or representation that this product complies with any state or local design, performance, or safety code or standard. Noncompliance with any such code or standard is not a defect in material or workmanship.

