



FMDL-SERIES SINGLE & DOUBLE EAGLE BEAK FORK-MOUNTED DRUM LIFTERS USE AND MAINTENANCE MANUAL



FMDL-1 (EAGLE BEAK™)



FMDL-2 (EAGLE BEAK™)



FPDL-8-L (BASE ENGAGING
PLASTIC BARREL HANDLER)



FPDL-11-H (TOP ENGAGING PLASTIC
BARREL HANDLER)



DFDL-3 (EAGLE BEAK™, TOP, & BASE
ENGAGING BARREL HANDLER)

VESTIL MANUFACTURING CORP.

2999 NORTH WAYNE STREET, P.O. BOX 507, ANGOLA, IN 46703

TELEPHONE: (260) 665-7586 -OR- TOLL FREE (800) 348-0868

FAX: (260) 665-1339

URL: WWW.VESTILMFG.COM

EMAIL: SALES@VESTIL.COM

NOTE: COMPLIANCE WITH REGULATIONS, CODES, AND/OR STATUTORY (NON-VOLUNTARY) STANDARDS ENFORCED IN THE LOCATION WHERE THE DEVICE IS *USED* IS EXCLUSIVELY THE RESPONSIBILITY OF THE END-USER. **IF LAW, ENFORCED WHERE THE DRUM LIFTER IS USED, CONTRADICTS AN INSTRUCTION(S) OR PART OF AN INSTRUCTION(S) AND THEREFORE REQUIRES YOU TO DEPART FROM THESE DIRECTIONS, VESTIL IS NOT RESPONSIBLE FOR ANY CONSEQUENTIAL DAMAGES SUSTAINED AS A RESULT OF THE INSTALLATION.**

Table of Contents

Product Introduction.....	2
Safety Principles.....	3
Safety Guidelines.....	3
Use Instructions.....	12
Maintenance Recommendations.....	12 - 13
Limited Warranty.....	14

Table of Figures

Fig. 1 "FMDL-1 Exploded parts diagram and parts list".....	4
Fig. 2 "FMDL-2 Exploded parts diagram and parts list".....	5
Fig. 3 "FPDL-11-H Exploded parts diagram and parts list".....	6
Fig. 4 "FPDL-8-L Exploded parts diagram and parts list".....	7
Fig. 5 "DFDL-3 Exploded parts diagram and parts list".....	8
Fig. 6 "Center of gravity diagrams".....	9 - 10
Fig. 7 "Product label placement diagram".....	12

PRODUCT INTRODUCTION

Thank you for purchasing an FMDL-series fork-mounted drum lifter (“drum lifter” or “lifter”) made by Vestil Manufacturing Corporation. Our drum lifters are durable, high-quality products rigorously engineered for dependability and simplicity. Although use and maintenance procedures are relatively intuitive, any person who might use or maintain this product must be familiar with the instructions provided in this manual. Dimensions and other product specifications appear in the following table:

Model	Description	Compatible Drums	Maximum Rated Load in Pounds (~kg)	Overall Dimensions in Inches (~cm)	Net Weight in Pounds (~kg)
FMDL-1	Eagle Beak™ single drum carrier	<ul style="list-style-type: none"> • 30 & 55 gallon • Open & closed head • Steel, plastic, & fiber 	1,000 (~455kg)	26½ x 46½ x 29 (67 x 118 x 74)cm	240 (~109kg)
FMDL-2	Eagle Beak™ two drum carrier	<ul style="list-style-type: none"> • 30 & 55 gallon • Open & closed head • Steel, plastic, & fiber 	2,000 (~909kg)	42 x 49½ x 29 (107 x 126 x 74)cm	340 (~155kg)
DFDL-3	Deluxe 3-mode drum lifter: Eagle beak, Bottom grip & Top grip	<ul style="list-style-type: none"> • 30 & 55 gallon • Open & closed head • Steel, plastic, & fiber 	Eagle Beak™ = 1,000 (~455kg) Bottom grip = 800 (~364kg) Top grip = 1,100 (~455kg)	26½ x 52 x 30 (67 x 132 x 76)cm	313 (~142kg)
FPDL-8-L (“L” = low attachment)	Bottom gripping drum handler for oddly shaped plastic drums	<ul style="list-style-type: none"> • 55 gallon • Open & closed head • Plastic 	800 (~364kg)	26½ x 56½ x 23 (67 x 144 x 58)cm	160 (~73kg)
FPDL-11-H (“H” = high attachment)	Top gripping drum handler for oddly shaped plastic drums	<ul style="list-style-type: none"> • 30 & 55 gallon • Closed head • Steel, plastic, & fiber 	1100 (~500kg)	26½ x 48½ x 23 (67 x 123 x 58)cm	185 (~84kg)

Vestil Manufacturing Corp. created this manual to acquaint persons authorized to use and/or maintain this drum handling device with safe use and maintenance procedures. **Employers are responsible for instructing employees to use the product properly. An employee and any other person, who might use or perform maintenance on the drum lifter, must read and understand every instruction BEFORE using or performing maintenance activities. Users should have access to the manual at all times** and should routinely review the directions.

Although Vestil diligently strives to identify foreseeable, hazardous situations, this manual cannot address every conceivable danger. The end-user is ultimately responsible for exercising sound judgment at all times.

SAFETY PRINCIPLES Vestil manufactures several kinds of fork-mountable drum handling equipment. This manual addresses the specifications, features, and capabilities of 3 product lines: 1) FMDL-series; 2) FPD-series; and 3) DFDL-3. Each lifter conforms to the generalized specifications disclosed in this manual and fulfills our demanding standards for quality, safety and durability.

Vestil Manufacturing Corp. recognizes the critical importance of workplace safety. Each person who **might** participate in the use or maintenance of the product must read this manual **and fully understand the directions BEFORE using or performing maintenance on the drum lifter. If you do not understand an instruction, ask your supervisor or employer for assistance. Failure to adhere to the directions in this manual might result in serious personal injury or even death.**

Vestil is **not liable** for any injury or property damage that occurs as a consequence of failing to apply either: 1) the instructions that appear in this manual; or 2) the information provided on labels affixed to the product. Furthermore, failure to exercise good judgment and common sense might result in property damage, serious personal injury or death. Such failure is solely the fault of the person(s) who acted without good judgment; it is **not another responsibility delegated to manufacturers.**

This manual uses SIGNAL WORDS to classify personal injury risks and situations that might lead to property damage, as well as to draw attention to safety message(s). The reader must understand that each signal word indicates the seriousness of the described hazard.



Identifies a hazardous situation which, if not avoided, **WILL** result in **DEATH** or **SERIOUS INJURY**. Use of this signal word is limited to the most extreme situations.



Identifies a hazardous situation which, if not avoided, **COULD** result in **DEATH** or **SERIOUS INJURY**.



Indicates a hazardous situation which, if not avoided, **COULD** result in **MINOR** or **MODERATE** injury.



Identifies practices likely to result in product/property damage, such as operation that might damage the drum lifter.

SAFETY GUIDELINES

Failure to read and understand the instructions included in this manual before using or servicing the drum lifter constitutes misuse of the product. Study the entire manual before you install the product. Read the manual to refresh your understanding of the safe use and inspection procedures explained on p. 9. DO NOT attempt to resolve any problem(s) with the lifter unless you are both authorized to do so and certain that it will be safe to use afterwards.



Electrocution might result if any part of the lifter or fork truck contacts electrified wires. Reduce the likelihood of electrocution by applying **common sense**:

- DO NOT *contact* electrified wires with any part of the drum lifter, drum or fork truck;
- DO NOT use or store the drum lifter in an area where contact with electrified wires is likely or possible;
- Before engaging or using the lifter, inspect the usage area for unusual conditions and implement precautions that account for those conditions.



If this product is used improperly or carelessly, the operator and/or bystanders might sustain serious personal injuries or even be killed. To reduce the likelihood of injury:

- DO NOT exceed the maximum rated load of your lifter (see Label on product; also see table on p. 2).
- DO NOT use a structurally compromised drum lifter. Examples of structural damage include: 1) missing, broken or significantly bent drum-engaging arms; 2) broken, missing, or deformed safety chain/strap; 3) damaged or broken fork pockets. Inspect the drum lifter according to the inspection instructions on p. 9-10. Replace each part that fails to pass an inspection. DO NOT use the drum lifter until authorized maintenance personnel approve the lifter for service.
- DO NOT stand, or allow other persons to stand, beneath any part of the lifter or drum.
- DO NOT use the lifter to transport *anything* but drums matched to the specific lifter according to the table on p. 2.
- ONLY transport drums in accordance with the fork truck training you received.
- DO NOT use the lifter to transport a drum(s) over rough, uneven, or damaged terrain UNLESS the drum is secured to the lifter with a ratchet strap.
- DO NOT modify the drum lifter or any component of the lifter in any way UNLESS you first obtain written approval from Vestil. Unauthorized modifications automatically void the Limited Warranty (p. 14) and might make the lifter unsafe to use.
- DO NOT use the lifter UNLESS all product labels (see FIG. 6 on p. 10) are readable and undamaged.
- In order for the Eagle Beak™ mechanism to work properly, each drum (including its contents) must weigh AT LEAST 50lbs (~22.7kg).

FIG. 1: FMDL-1 Exploded parts diagram and parts list

Item No.	Part No.	Description	Item No.	Part No.	Description
1	40-514-008	Eagle Beak™ base frame weldment	14	CP-5/8 x 2 1/2-Z	5/8 in. x 2 1/2 in. clevis pin
2	DIR-99	1/2 in. x 2 3/4 in. hitch pin	15	CP-3/4x4-1/2-Z	3/4 in. x 4 1/2 in. pin
3	15-112-014	1 in. diameter x 4 1/2 in. main clevis pin	16	65125	3/16 in. x 1-1/4 in. cotter pin
4	I-RS	Ratchet strap [not shown]	17	65078	1/8 in. x 1 1/2 in. cotter pin
5	65125	3/16 in. x 1 1/2 in. cotter pin	18	CP-1/2x1-3/4-Z	1/2 in. x 1 1/2 in. pin
6	37-145-004	5/16 in. x 48 in. chain	19	45286	Trade size 11 hitch pin clip
7	N/A	Cast loop for ratchet strap	20	FMDL-SPG	Tension spring
Eagle Beak drum lip gripping mechanism (8-26)			21	33016	5/8 in. flat washer
8	40-514-006	Eagle Beak™ handle frame weldment	22	40-014-029	5/64 in. x 1 1/2 in. x 10 spring steel frame
9	40-514-018	Eagle Beak™ channel frame casting	23	11003	1/4 in. - 20 UNC x 5/8 in. hex head bolt
10	40-514-011	Eagle Beak™ tube frame	24	37018	1/4 in. - 20 UNC nylock hex nut
11	40-516-001	Eagle Beak™ lower jaw casting	25	33474	1 1/2 in. (outer diameter) x 3/4 in. (inner diameter) x 14 GA machinery bushing
12	40-016-052	Eagle Beak™ upper jaw casting	26	40-514-010	Drum side wall support casting
13	40-612-004	7/8 in. x 1-3/4 in. pin weldment			

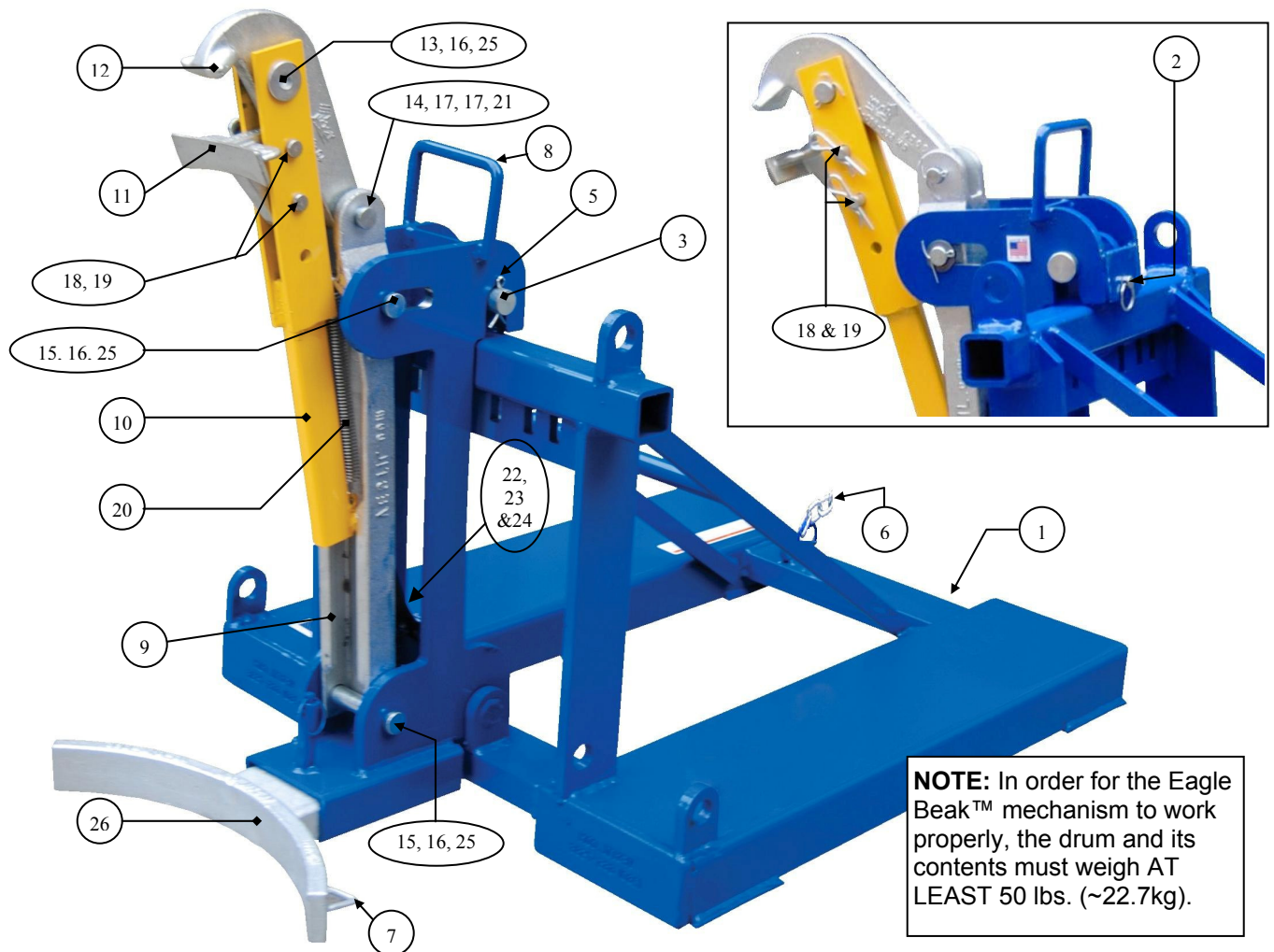
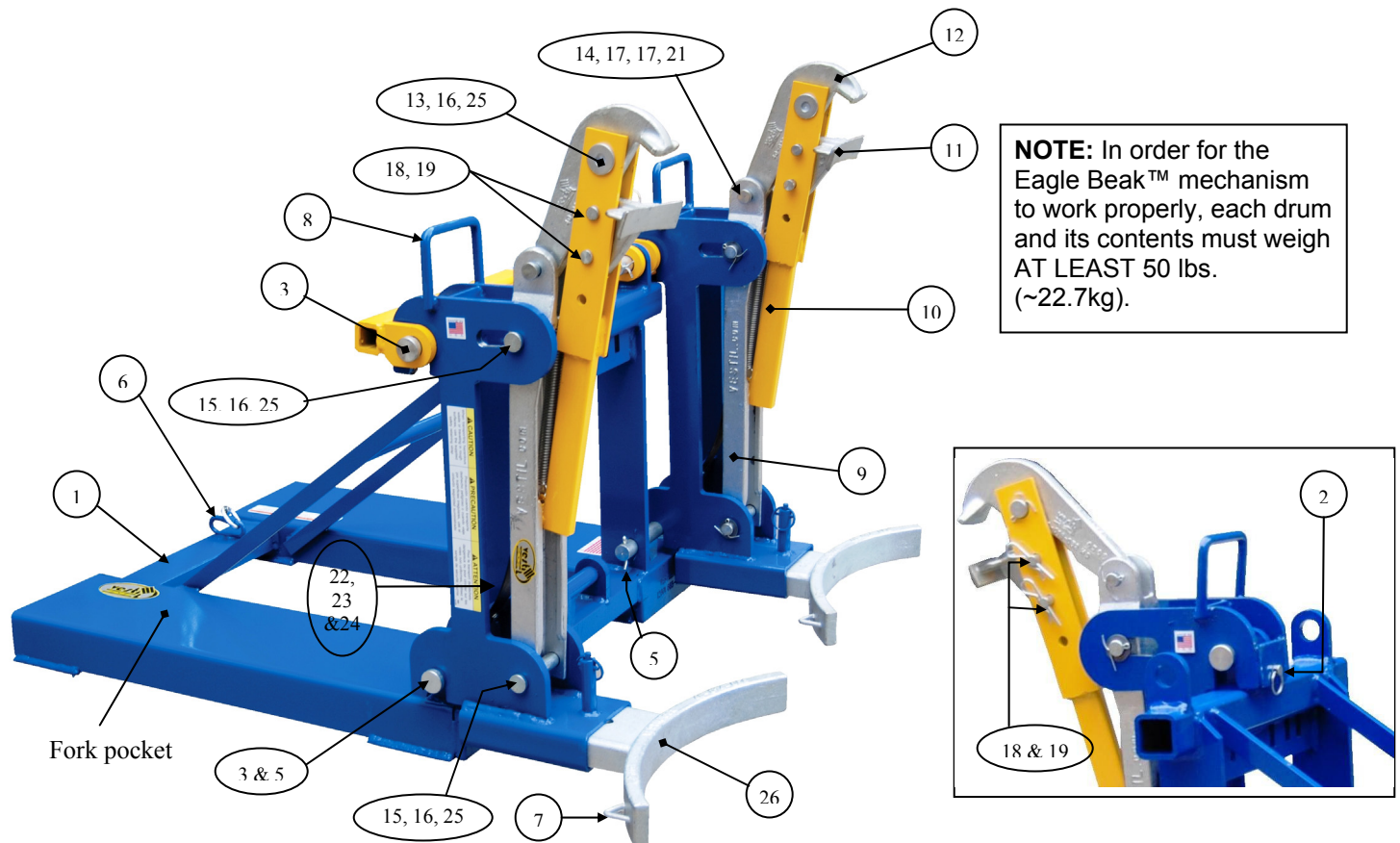
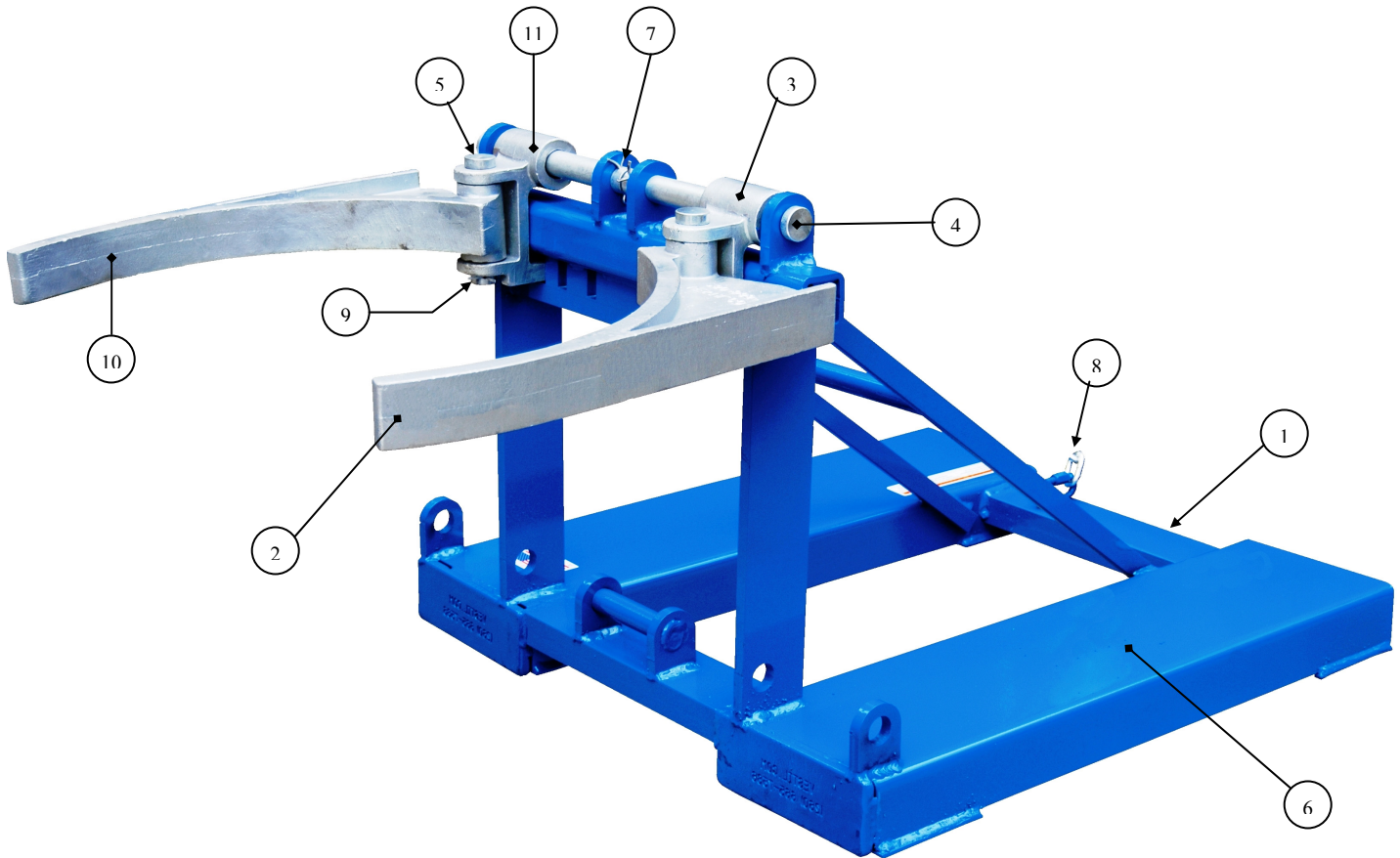
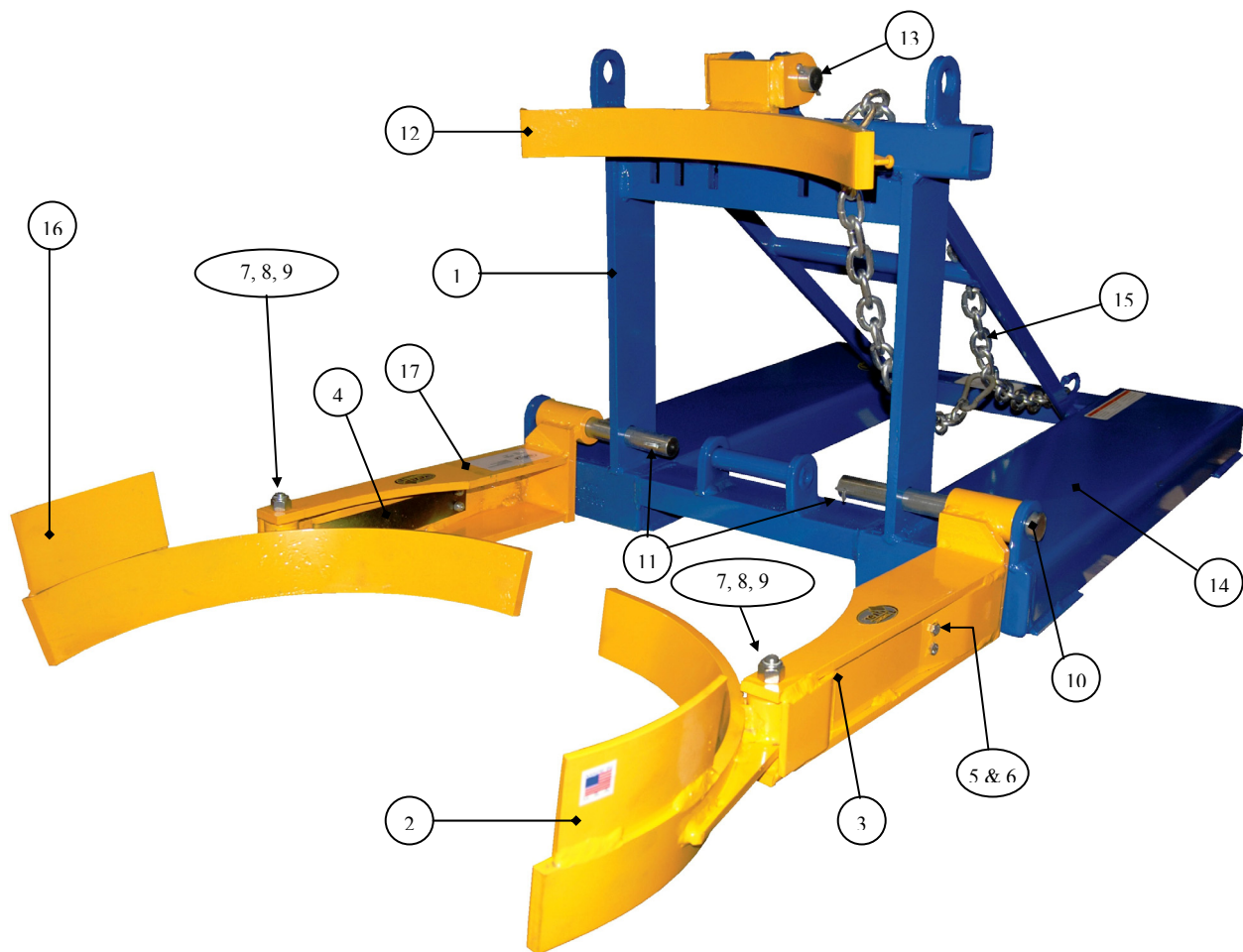


FIG. 2: FMDL-2 Exploded parts diagram and parts list

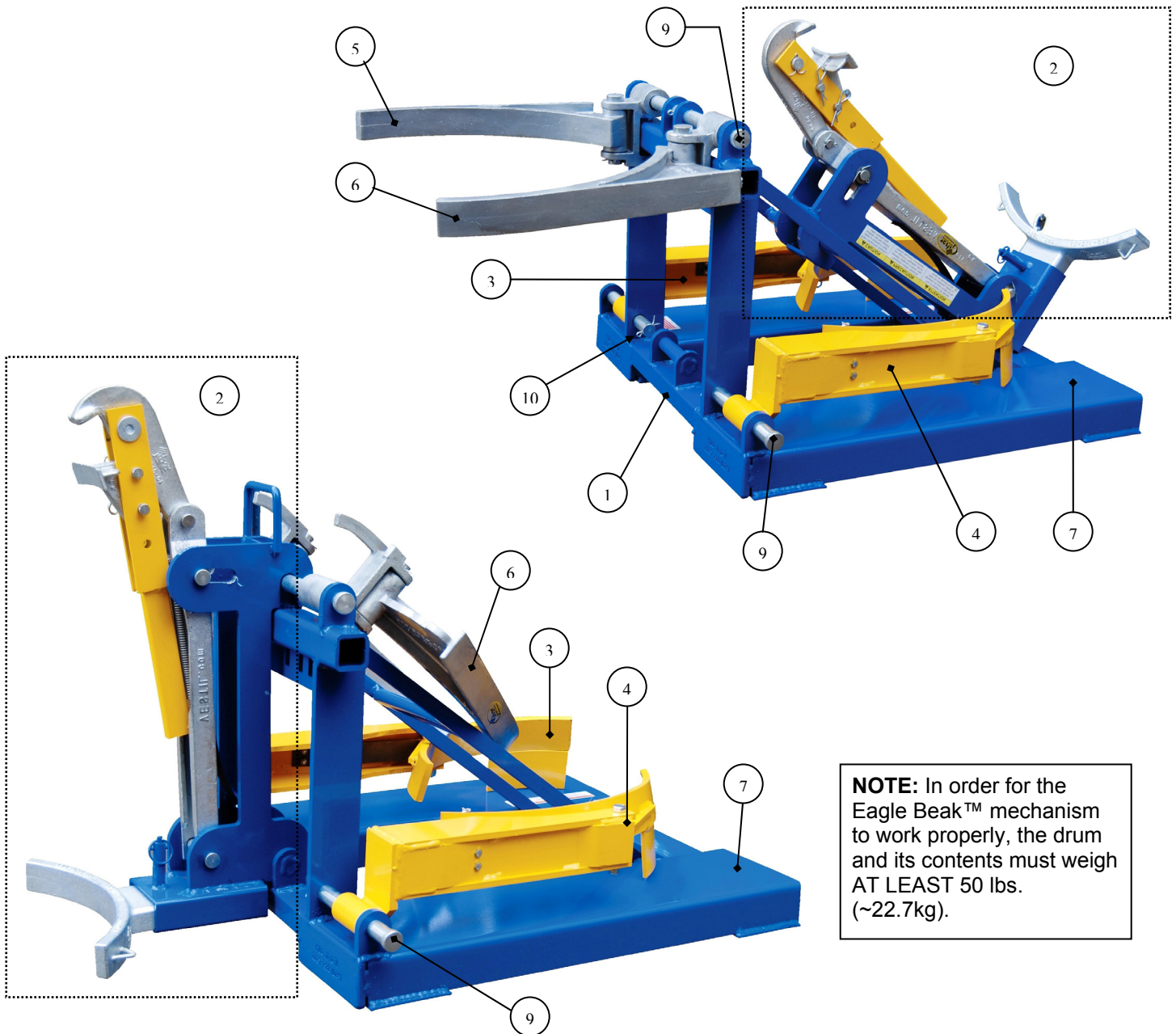
Item No.	Part No.	Description
1	40-514-008	Eagle Beak™ base frame weldment
2	DRI-99	½ x 2¾ in. hitch pin
3	40-112-001	1in. diameter x 8-5/8 in. pin
4	I-RS	Ratchet strap
5	65125	3/16 x 1½ in. cotter pin
6	37-145-004	5/16 x 48 in. chain
7	N/A	Ratchet strap attachment loop (part of item no. 26)
Eagle Beak drum lip-gripping mechanism		
8	40-514-006	Eagle Beak™ handle frame weldment
9	40-514-018	Eagle Beak™ channel frame weldment
10	40-514-011	Eagle Beak™ tube frame casting
11	40-516-001	Eagle Beak™ lower jaw casting
12	40-516-002	Eagle Beak™ upper jaw casting
13	40-612-004	7/8 in. x 1-3/4 in. pin weldment
14	CP-5/8 x 2½-Z	5/8 in. x 2½ in. clevis pin
15	CP-3/4x4-1/2-Z	¾ in. x 4½ in. pin
16	65125	3/16 in. x 1-1/4 in. cotter pin
17	65078	1/8 in. x 1½ in. cotter pin
18	CP-1/2x1-3/4-Z	½ in. x 1½ in. pin
19	45286	Trade size 11 hitch pin clip
20	FMDL-SPG	Tension spring
21	33016	5/8 in. flat washer
22	40-014-029	5/64 in. x 1½ in. x 10 spring steel frame
23	11003	¼ in. - 20 UNC x 5/8 in. hex head bolt
24	37018	¼ in. - 20 UNC nylock hex nut
25	33474	1½ in. (outer diameter) x ¾ in. (inner diameter) x 14 GA machinery bushing
26	40-014-066	Drum side wall support casting

FIG. 3: FPDL-11-H Exploded parts diagram and parts list

Item No.	Part No.	Description
1	40-514-008	Eagle Beak™ base frame casting
2	40-514-016	Left side upper drum gripper casting
3	40-512-002	Left side hinge casting
4	40-112-001	1 in. diameter 8-5/8 in. main clevis pin
5	15-112-014	1 in. diameter x 4½ in. pin
6	N/A	Fork pockets
7	65125	3/16 in. x 1½ in. cotter pin
8	37-145-004	5/16 in. x 48 in. chain
9	65125	3/16 in. x 1½ in. cotter pin
10	40-514-017	Right side upper drum gripper casting
11	40-512-001	Right side hinge casting

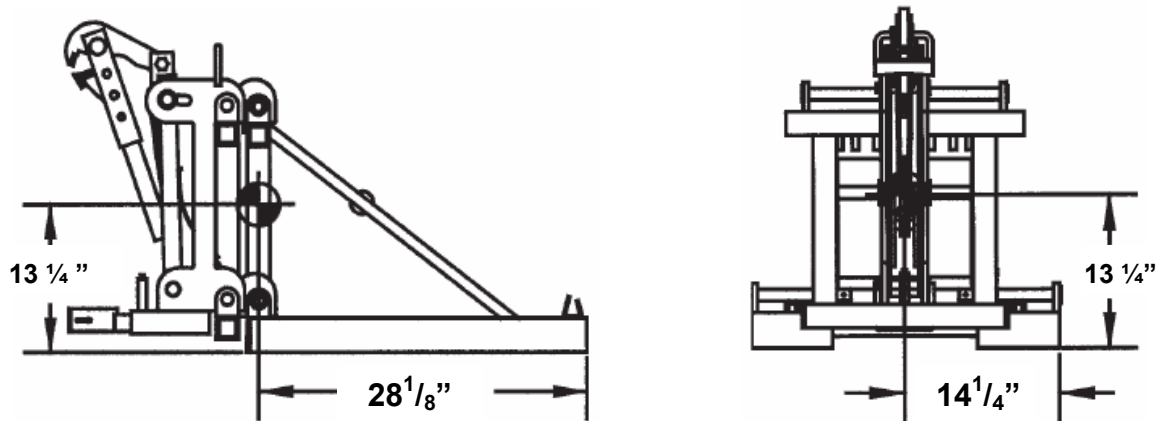
FIG. 4: FPDL-8-L Exploded parts diagram and parts list

Item No.	Part No.	Description
1	40-514-008	Eagle Beak base frame weldment
2	40-514-020	Left side lower drum gripper weldment
3	40-514-019	Left side lower drum gripper arm weldment
4	40-014-029	Spring steel bar frame
5	11003	¼ in. – 20 UNC x ¾ in. hex head bolt
6	37018	¼ in. -20 UNC nylock hex nut
7	11219	½ in. – 13 UNC x 4 in. hex head bolt
8	37030	½ in. - 13 UNC nylock hex nut
9	SPMSIRJ	¾ in. (outer diameter) x ½ in. (inner diameter) 8-5/8 in. axle sleeve tube
10	40-112-001	1 in. diameter x 8-5/8 in. main clevis pin
11	65125	3/16 in. x 1½ in. cotter pin
12	40-514-021	Upper side wall support weldment
13	15-115-014	1 in. diameter x 4½ in. retaining pin
14	N/A	Fork pockets
15	37-145-001	5/16 in. x 48 in. chain
16	40-514-005	Right side lower drum gripper weldment
17	40-514-009	Right side lower drum gripper arm weldment

FIG 5: DFDL-3 exploded parts diagram and parts list (2 views)

NOTE: In order for the Eagle Beak™ mechanism to work properly, the drum and its contents must weigh **AT LEAST 50 lbs.** (~22.7kg).

Item No.	Part No.	Description
1	40-514-008	Eagle Beak™ base frame weldment
2	40-514-022	Eagle Beak drum lip gripping assembly [corresponds to item no's 8-26 on p. 4]
3	40-514-012	Right side lower drum gripper assembly [corresponds to item no's 4 - 9, 16, 17 on p. 7]
4	40-514-013	Left side lower drum gripper assembly [corresponds to item no's 2 - 9 on p. 7]
5	40-514-014	Right side upper drum gripper assembly [corresponds to item no's 5, 9-11 on p. 6]
6	40-514-015	Left side upper drum gripper assembly [corresponds to item no's 2, 3, 5 & 9 on p. 6]
7	n/a	Fork pocket
8	37-145-004	5/16 in. x 48 in. chain (not shown)
9	40-112-001	1 in. diameter x 8-5/8 in. main clevis pin
10	n/a	3/16 in. x 1½ in. cotter pin

FIG. 6A: FMDL-1 center of gravity diagrams

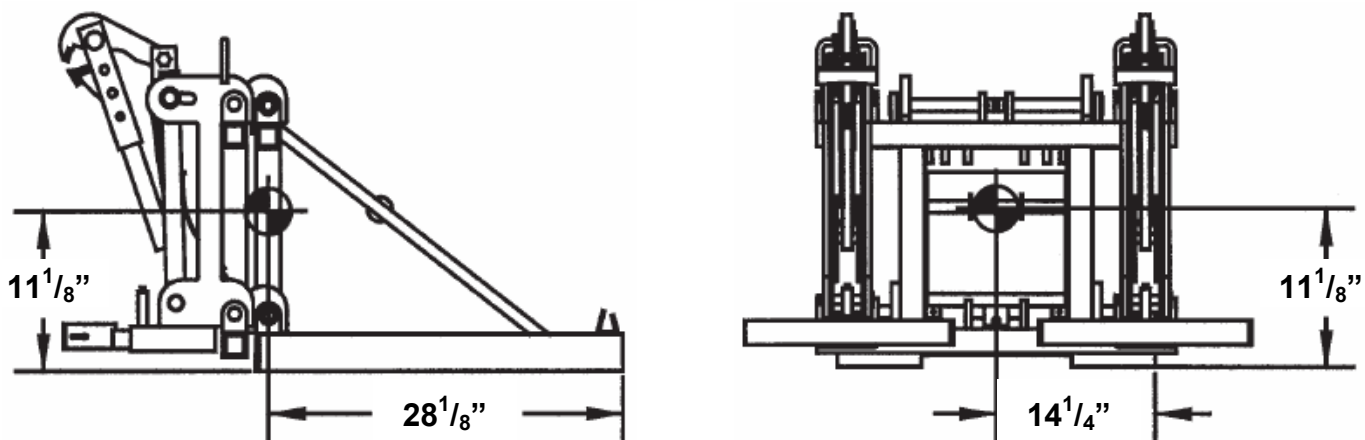
Horizontal center of gravity (HCG):

- $28\frac{1}{8}$ inches (~71.4 cm) from the open ends of the fork pockets; and
- $14\frac{1}{4}$ inches (~36.2cm) from the outer edge of each fork pocket (halfway between the fork pockets).

Vertical center of gravity:

- $13\frac{1}{4}$ inches (~33.7cm) from the bottom of the fork pockets.

NOTE: In order for the Eagle Beak™ mechanism to work properly, the drum and its contents must weigh AT LEAST 50 lbs. (~22.7kg).

FIG. 6B: FMDL-2 center of gravity diagrams

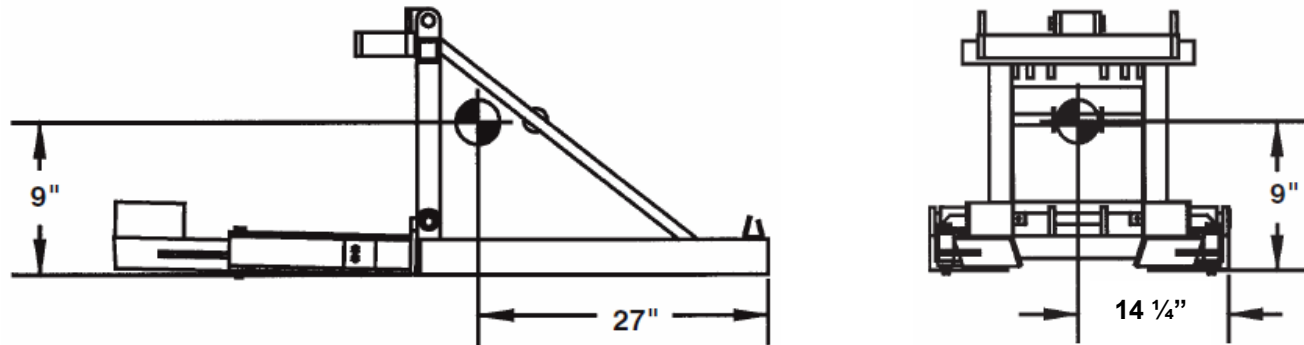
Horizontal center of gravity (HCG):

- $28\frac{1}{8}$ inches (~71.4 cm) from the open ends of the fork pockets; and
- $14\frac{1}{4}$ inches (~36.2cm) from the outer edge of each fork pocket (halfway between the fork pockets).

Vertical center of gravity:

- $11\frac{1}{8}$ inches (~28.3cm) from the bottom of the fork pockets.

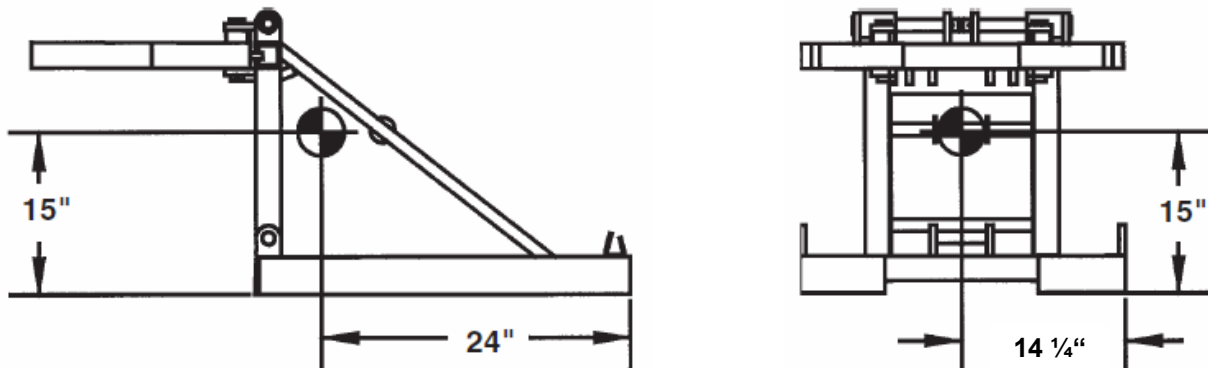
NOTE: In order for the Eagle Beak™ mechanism to work properly, each drum and its contents must weigh AT LEAST 50 lbs. (~22.7kg).

FIG. 6C: FPDL-8-L center of gravity diagrams**Horizontal center of gravity (HCG):**

- 27 inches (~68.6cm) from the open ends of the fork pockets; and
- 14¼ inches (~36.2cm) from the outer edge of each fork pocket (halfway between the fork pockets).

Vertical center of gravity:

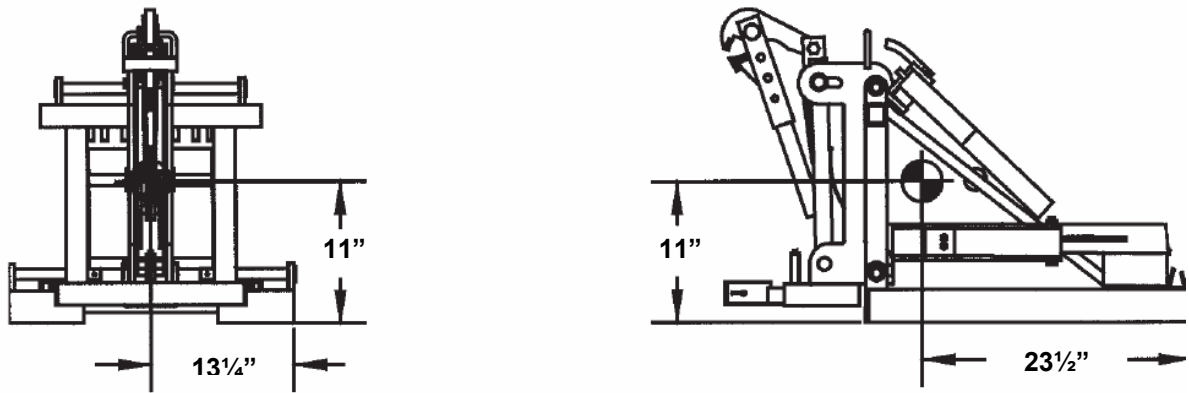
- 9 inches (~22.9cm) from the bottom of the fork pockets.

FIG. 6D: FPDL-11-H center of gravity diagrams**Horizontal center of gravity (HCG):**

- 24 inches (~61cm) from the open ends of the fork pockets; and
- 14¼ inches (~36.2cm) from the outer edge of each fork pocket (halfway between the fork pockets).

Vertical center of gravity:

- 15 inches (~38.1cm) from the bottom of the fork pockets.

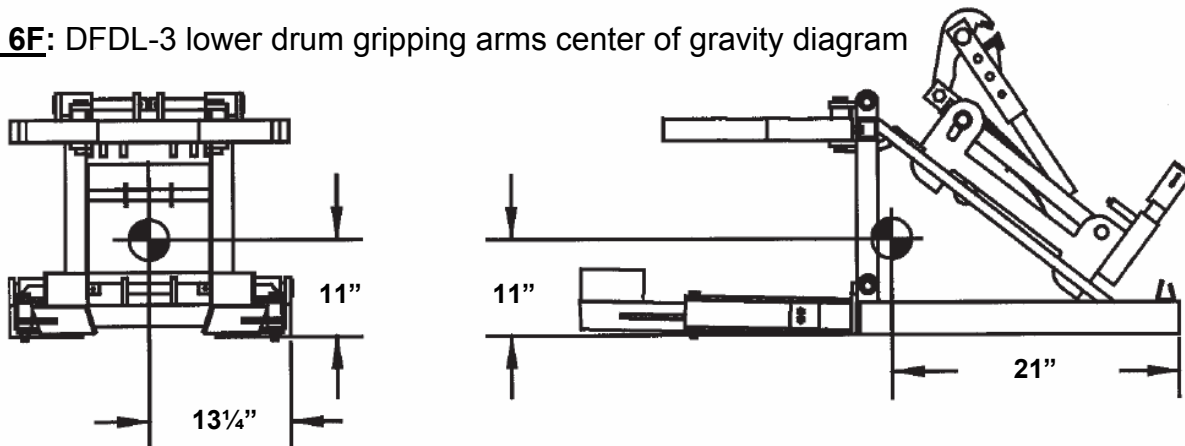
FIG. 6E: DFDL-3 Eagle Beak center of gravity diagram

Horizontal center of gravity (HCG):

- 23½ inches (~59.7cm) from the open ends of the fork pockets; and
- 13¼ inches (~33.7cm) from the outer edge of each fork pocket (halfway between the fork pockets).

Vertical center of gravity:

- 11 inches (~28cm) from the bottom of the fork pockets.

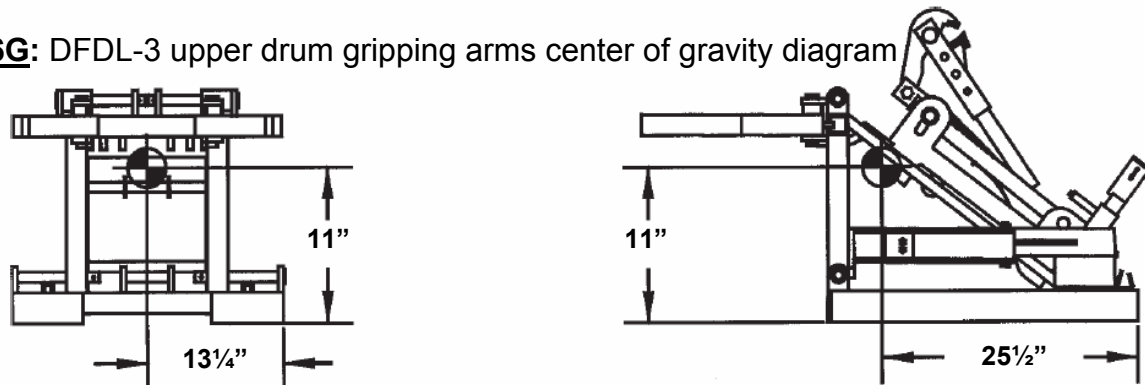
FIG. 6F: DFDL-3 lower drum gripping arms center of gravity diagram

Horizontal center of gravity (HCG):

- 21 inches (~53.3cm) from the open ends of the fork pockets; and
- 13¼ inches (~33.7cm) from the outer edge of each fork pocket (halfway between the fork pockets).

Vertical center of gravity:

- 11 inches (~23cm) from the bottom of the fork pockets

FIG. 6G: DFDL-3 upper drum gripping arms center of gravity diagram

Horizontal center of gravity (HCG):

- 25½ inches (~64.8cm) from the open ends of the fork pockets; and
- 13¼ inches (~33.7cm) from the outer edge of each fork pocket (halfway between the fork pockets).

Vertical center of gravity:

- 11 inches (~23cm) from the bottom of the fork pockets

Use Instructions

Step 1: Adjust the positions of the forks/tines of your lift truck to match the locations of the fork pockets. Apply the operation procedures learned during your lift truck training program to properly adjust fork position.

Step 2: Mount the drum lifter on the forks of your lift truck. Slowly drive the truck forward until the forks contact the ends of the fork pockets.

Step 3: Connect the drum lifter to the fork truck by attaching the safety chain to the fork carriage. Wrap the chain around the fork carriage and then fasten the snap hook to the chain or cold shut (the loop welded to the supporting frame that attaches to the fixed end of the chain) **without slack**. The chain must not be able to disconnect from the carriage without deliberate effort. For instance, the chain must not be able to slide free of the carriage. If different procedures are applied at your worksite, follow those procedures instead of these directions.

WARNING The chain is an essential safety-enhancing feature. Use the chain to connect the drum lifter to the carriage of your fork truck. Wrap the chain around the carriage and fasten the free end to the chain **with no slack**. The chain will not prevent the drum lifter from sliding off of the forks if it is improperly connected to the fork carriage.

NOTICE Slowly lower the forks to avoid damaging impacts between the floor/ground and the drum or lifter.

Eagle Beak™ and DFDL-3 models:

NOTE: In order for the Eagle Beak™ mechanism to work properly, the drum and its contents must weigh AT LEAST 50 lbs. (~22.7kg).

Step 4 Engage the selected drum with the lifter: Raise the forks just a few inches off of the ground/floor, and tilt the mast of you fork truck forward. Drive slowly towards the selected drum until the lower jaw of the Eagle Beak™ ((item no. 11 in Fig. 1, p. 4) contacts the side of the drum directly beneath the lip of the drum.

Step 5 Grasp the lip of the drum: Slowly raise the forks until the upper jaw engages the top of the drum lip. Continue to raise the forks until the drum is elevated a few inches above the floor/ground. Attach one end of the ratchet strap to one cast loop on the drum side wall casting (Fig. 1, item 26, p. 4). Attach the other end of the ratchet strap to the other cast loop on the side wall casting; then work the ratchet mechanism until the strap is tight.

Step 6 Transport the drum: Straighten the mast and transport the drum to the desired unloading location. Raise the forks when/as required by conditions along the travel path.

Step 7 Release the drum: Lower the forks until the drum is just a few inches above the floor, and then remove the ratchet strap. Tilt the fork truck mast forward. Slowly lower the forks until the Eagle Beak™ disengages the lip of the drum and the drum is fully supported by the floor/ground.

FPDL-11-H and DFDL-3 models:

Step 4 Position the fork lift and drum lifter: Raise the forks and adjust the location of the fork lift to position the drum grippers above the top of the drum. Tilt the mast forward, i.e. point the forks toward the floor.

Step 5 Position drum grippers: Lower the forks; the drum grippers will slide over the lip of the drum. Position the grippers below the lip or the middle rim as desired.

Step 6 Transport the drum: Straighten the mast and raise the forks until the gripper engages the lip or rim, and then slowly raise the forks until the drum is elevated a few inches above the floor. Tilt the mast back; then transport the drum to the desired location.

Step 7 Release the drum: First tilt the mast forward and then slowly lower the forks until the drum is fully supported by the floor. To finish disengaging the drum, back the fork truck away from it.

FPDL-8-L and DFDL-3 models:

Step 4 Position fork lift and drum lifter: Adjust the mast position so that the drum grippers are parallel to the ground. Slightly elevate the forks above the floor.

Step 5 Prepare the engage the drum: Adjust the position of the fork truck to center the drum lifter on the drum; then drive forward until the side of the drum contacts the upper side wall support weldment (FIG. 4, item no. 4, on p. 7).

Step 6 Transport drum: Raise the forks until the lower drum gripper weldments (FIG. 4, item no's 2 & 16, on p. 7) engage the base of the drum. Raise the drum a few inches above the ground; secure it to the lifter by attaching the ratchet strap to the cast loops of the side wall support (FIG. 4, item no. 12, p. 7); then transport it to the desired unloading point.

Step 7 Release the drum: First tilt the mast forward; then slowly lower the forks until the drum is fully supported by the ground/floor. Slowly back the fork lift away from the drum until the drum and lifter disengage.

Maintenance Recommendations

Before each use, inspect the listed components:

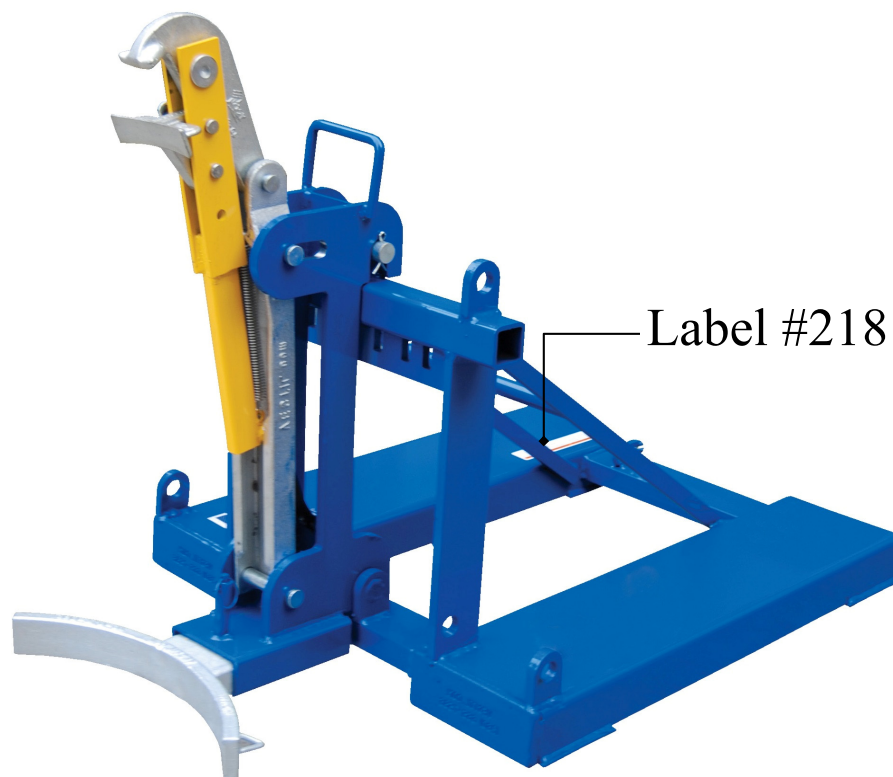
1. Safety chain and snap hook (attached to the free end of the safety chain): confirm that the spring latch automatically closes securely against the hook. DO NOT use the lifter if the hook, chain, cold shut (the loop welded to the lifter frame, which connects to one end of the chain), or ratchet strap loop castings are damaged.

- Product labels: all labels should be readable and located as shown in FIG. 6. If a label(s) is unreadable or missing, contact Vestil to order a replacement.

At least 1 time per month, inspect:

- Fasteners (hardware):
 - Bolts, nuts, washers, pins, cotter pins;
 - Chain and snap hook.
- Fork pockets: confirm that each pocket is structurally sound, uncorroded and free of rust. Do not use the lifter if the fork pockets are structurally compromised, rusted or corroded.
- Welds: confirm that all welds are intact.
- Drum grippers, Eagle Beak® upper and/or lower jaw, fork pockets, and supporting frame: must be undamaged. For example, no structural deformation, warps, or cracks.
- Overall condition of drum lifter: the structure should be clean, square and rigid, and free of rust and corrosion. Remove dirt and debris. Do not use the lifter if the supporting frame and/or one or both grippers are excessively rusted or corroded.

FIG. 7: Product label placement diagram



Label #218:

⚠ WARNING	⚠ ADVERTENCIAS
<p>Improper use might result in death or serious personal injury. Attach device to fork carriage with safety chain/strap.</p> <ul style="list-style-type: none"> Drive lift truck forward until forks contact ends of fork pockets Chain/straps must not be able to disconnect (slide free) from carriage. Safety chain/strap must be taut. Connect chain/strap to carriage via shortest line. 	<p>El uso impropio puede resultar en muerte o heridas personales. Atar aparato al mástil del montacargas con cadenas/correas.</p> <ul style="list-style-type: none"> Maneje el montacargas para adelante hasta que las cuñas hagan contacto con la orilla del bolsillo de las cuñas. La cadenas y correas no deben de deslizarse (soltarse) del mástil del montacargas. La cadena/correa de seguridad debe de estar apretado. Asegure la cadena/correa al mástil via la ruta mas corta.

218
rev/09/10

LIMITED WARRANTY

Vestil Manufacturing Corporation ("Vestil") warrants this product to be free of defects in material and workmanship during the warranty period. Our warranty obligation is to provide a replacement for a defective original part if the part is covered by the warranty, after we receive a proper request from the warrantee (you) for warranty service.

Who may request service?

Only a warrantee may request service. *You are a warrantee if* you purchased the product from Vestil or from an authorized distributor AND Vestil has been fully paid.

What is an "original part"?

An original part is a part used to make the product as shipped to the warrantee.

What is a "proper request"?

A request for warranty service is proper if Vestil receives: 1) a photocopy of the Customer Invoice that displays the shipping date; AND 2) a written request for warranty service including your name and phone number. Send requests by any of the following methods:

Mail
Vestil Manufacturing Corporation
2999 North Wayne Street, PO Box 507
Angola, IN 46703

Fax
(260) 665-1339
Phone
(260) 665-7586

Email
sales@vestil.com

In the written request, list the parts believed to be defective and include the address where replacements should be delivered.

What is covered under the warranty?

After Vestil receives your request for warranty service, an authorized representative will contact you to determine whether your claim is covered by the warranty. Before providing warranty service, Vestil may require you to send the entire product, or just the defective part or parts, to its facility in Angola, IN. The warranty covers defects in the following original dynamic components: motors, hydraulic pumps, electronic controllers, switches and cylinders. It also covers defects in original parts that wear under normal usage conditions ("wearing parts"), such as bearings, hoses, wheels, seals, brushes, and batteries.

How long is the warranty period?

The warranty period for original components is 90 days. The warranty period begins on the date when Vestil ships the product to the warrantee. If the product was purchased from an authorized distributor, the period begins when the distributor ships the product. Vestil may extend the warranty period for products shipped from authorized distributors by *up to* 30 days to account for shipping time.

If a defective part is covered by the warranty, what will Vestil do to correct the problem?

Vestil will provide an appropriate replacement for any *covered* part. An authorized representative of Vestil will contact you to discuss your claim.

What is not covered by the warranty?

1. Labor;
2. Freight;
3. Occurrence of any of the following, which automatically voids the warranty:
 - Product misuse;
 - Negligent operation or repair;
 - Corrosion or use in corrosive conditions;
 - Inadequate or improper maintenance;
 - Damage sustained during shipping;
 - Accidents involving the product;
 - Unauthorized modifications: DO NOT modify the product IN ANY WAY without first receiving written authorization from Vestil. Modification(s) might make the product unsafe to use or might cause excessive and/or abnormal wear.

Do any other warranties apply to the product?

Vestil Manufacturing Corp. makes no other express warranties. All implied warranties are disclaimed to the extent allowed by law. Any implied warranty not disclaimed is limited in scope to the terms of this Limited Warranty.

